



C-Band Antenna Catalog 2013

0413 Rev 00



VERDANT TELEMETRY & ANTENNA SYSTEMS Pvt. Ltd.
COCHIN – 682013, INDIA.
Tel: +91-484-2663104 Fax: +91-484-2663576
e-mail: sales@verdanttelemetry.com
Website : www.verdanttelemetry.com



VERDANT JC 50

C-Band Blade Antenna

JC 50 is a C-Band antenna used with telemetry systems. The antenna has excellent omnidirectional pattern over the entire band. The radiating element is encased in a single piece glass fiber reinforced epoxy shell. The antenna is designed as light weight, low profile, low drag stub antennas ideally suited for high performance supersonic aircraft.



SPECIFICATIONS

ELECTRICAL

| | |
|-------------------|----------------------------|
| Frequency Range | 4400 MHz - 5150 MHz |
| VSWR | 2.0:1 (Max) |
| Polarization | Vertical |
| Radiation Pattern | Omnidirectional in azimuth |
| Impedance RF | 50 Ω |
| Static Protection | DC Grounded |
| Power RF | 20W |

MECHANICAL

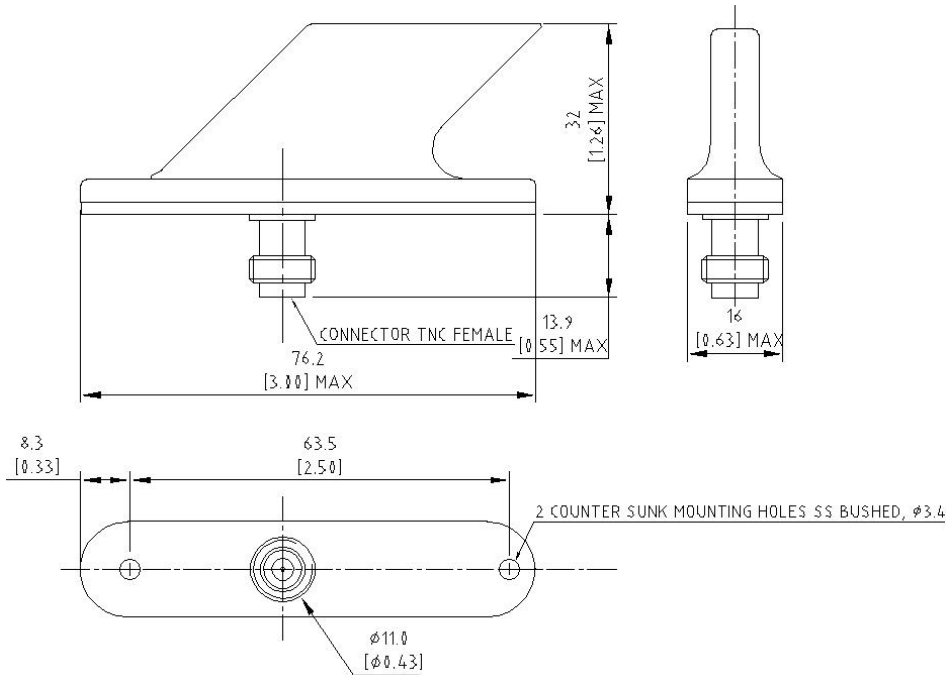
| | |
|-----------|----------------|
| Weight | 55 grams (Max) |
| Height | 44 mm (Max) |
| Material | Glass Epoxy |
| Finish | Gloss |
| Connector | TNC |

ENVIRONMENTAL

| | |
|-------------|----------------|
| Temperature | -55°C to +90°C |
| Altitude | 60,000 feet |

*Contact us for your customized requirements

Tests in accordance with MIL 810 D



Dimensions are in mm
Inches shown in bracket

0413 Rev 00



VERDANT TELEMETRY & ANTENNA SYSTEMS Pvt. Ltd.
COCHIN – 682013, INDIA.
Tel: +91-484-2663104 Fax: +91-484-2663576
e-mail: sales@verdanttelemetry.com
Website : www.verdanttelemetry.com

*All data contained herein is subject to change without notice





VERDANT TELEMETRY & ANTENNA SYSTEMS Pvt. Ltd.

COCHIN – 682013, INDIA.

Tel: +91-484-2663104 Fax: +91-484-2663576

e-mail: sales@verdanttelemetry.com

Website : www.verdanttelemetry.com