

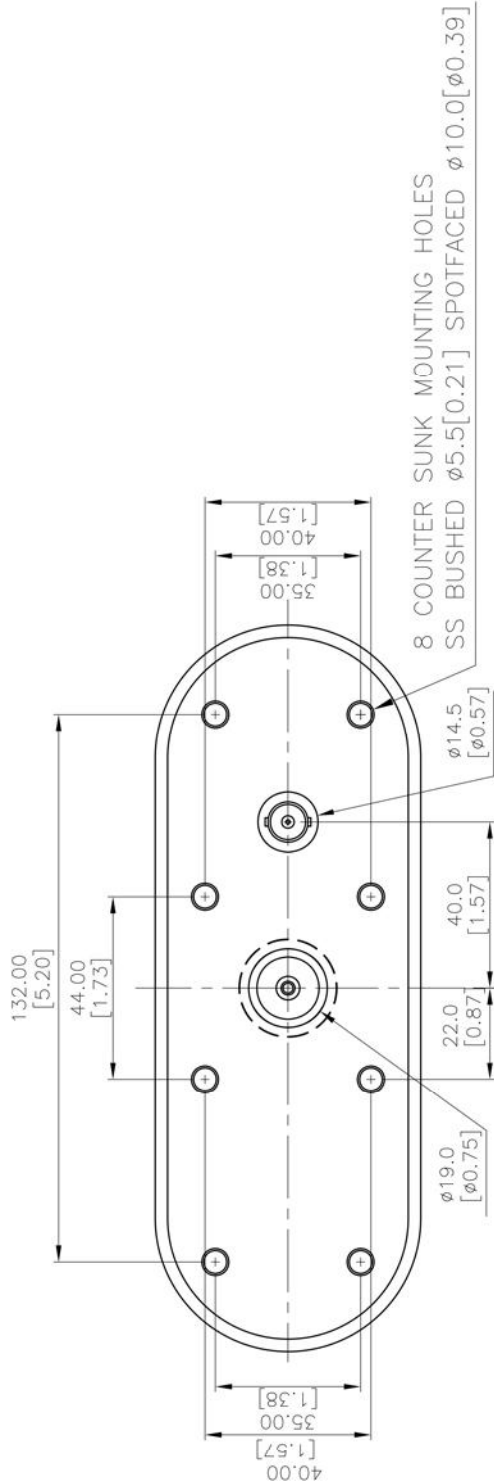
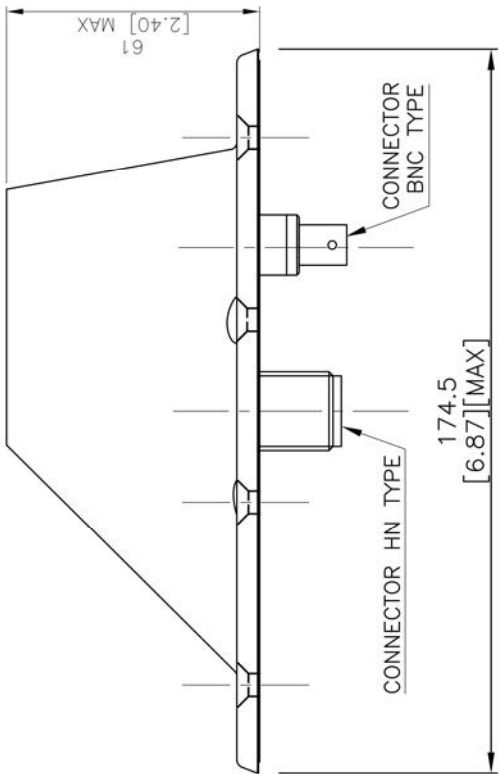
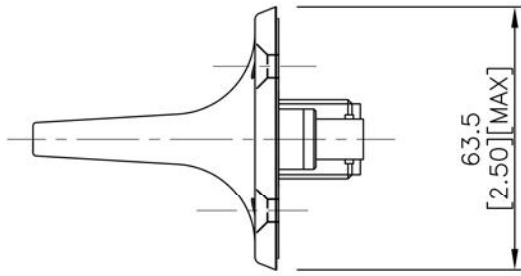


JL 02-X is an L-band antenna designed to be used with IFF system. The design ensures excellent omnidirectional pattern over the entire band. The radiating element is encased in a single piece glass fibre reinforced epoxy shell. These antennas are low profile, low drag stub antennas designed to withstand severe environmental conditions ideally suited for high performance supersonic aircrafts.

Tested as per MIL 810F

ELECTRICAL		SPECIFICATIONS
Frequency Range	950 MHz-1250 MHz	
VSWR	2.0:1(max)	
Polarization	Vertical	
Radiation Pattern	Omnidirectional in azimuth	
Impedance RF	50 Ohms Nominal	
Static Protection	DC Grounded	
Power RF	1.5kW	
MECHANICAL		
Weight	265 grams(max)	
Height	61 mm (max)	
Material	Glass Epoxy	
Finish	Matt black	
Connector	See Order Options	
ENVIRONMENTAL		
Temperature	-55° C to +90° C -70 ° C to +120 ° C (Optional)	
Altitude	60000 feet	
ORDER OPTIONS		
CONNECTOR		
TNC-L-TYP	Standard	
TNC/N	Optional	
COLOUR		
White	Standard	
Black/Other	Optional	

**Contact us for your customized requirements.*



Dimensions are in mm
Inches shown in bracket

SPECIFICATIONS

08-10 Rev. 6