



JD 401 is a broad band (VHF/UHF) low profile blade antenna to be used with communication systems. These antennas are designed as low profile, low drag blade antennas ideally suited for helicopter, fixed wing aircrafts and UAV. The single piece fibre reinforced epoxy antenna shell is designed to meet the stringent MIL requirement.

Tests in accordance with MIL 810 F

ELECTRICAL		SPECIFICATIONS
Frequency Range	20 MHz - 1200 MHz	
VSWR	3.5:1 (max)	
Polarization	Vertical	
Radiation Pattern	Omnidirectional in azimuth	
Impedance RF	50 Ω	
Static Protection	DC Grounded	
Power RF	25 W	
MECHANICAL		
Weight	1450 grams (max)	
Height	198 mm (max)	
Material	Glass Epoxy	
Finish	Gloss	
Connector	SMA Female	
ENVIRONMENTAL		
Temperature	-54°C to +71°C	
Altitude	50,000 feet	
ORDER OPTIONS		
COLOUR		
Grey	Standard	

** Contact us for your customized requirements.*

01-12 Rev. 8

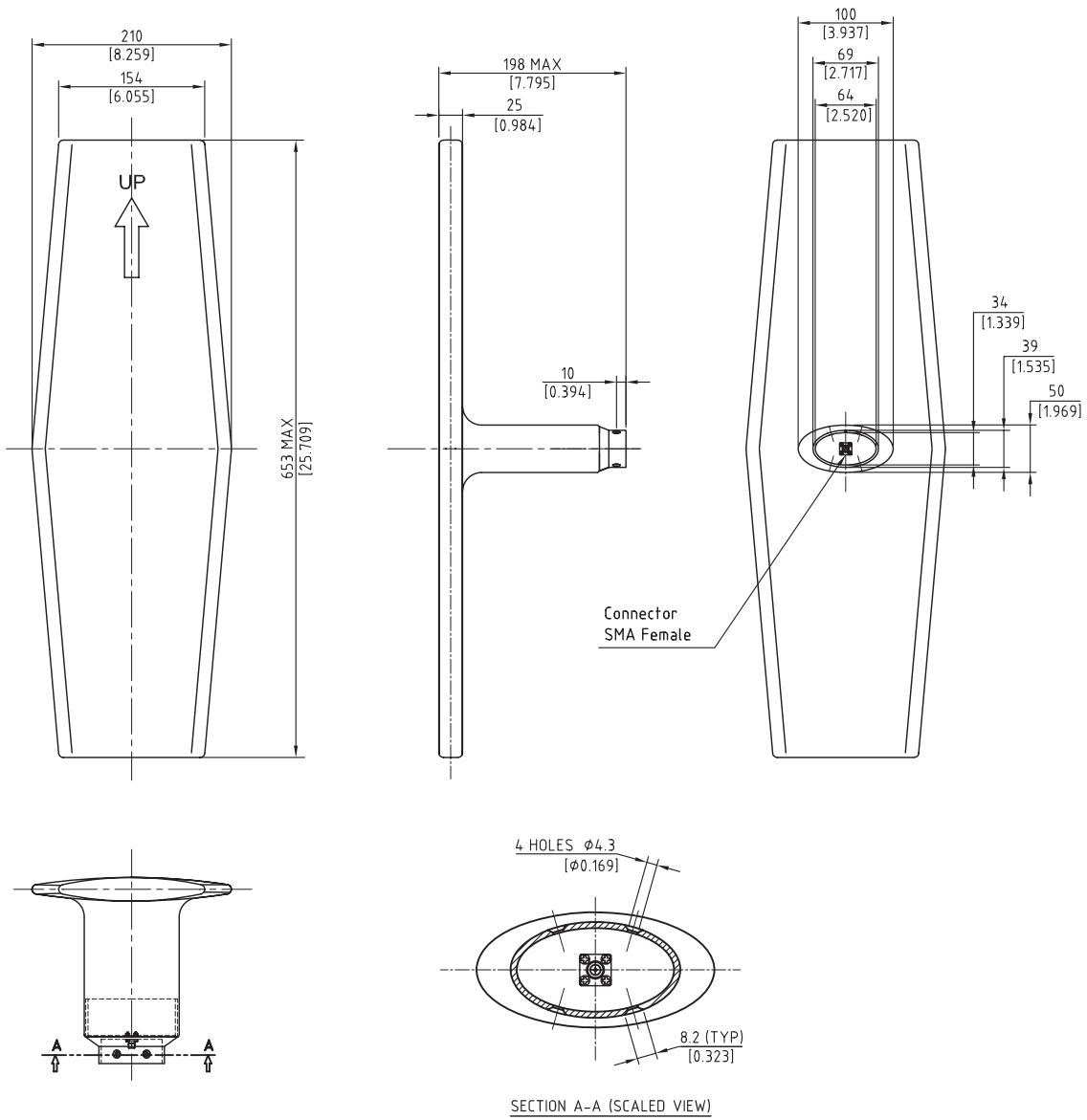
20003900 ASH
20003900 QM08



AS 9100 REV B
ISO 9001:2008

VERDANT TELEMETRY & ANTENNA SYSTEMS PVT LTD

All data contained herein is subject to change without notice



01-12 Rev. 8

Dimensions are in mm
Inches shown in bracket