

VERDANT JL 02

L - Band Blade Antenna

JL 02 is an L-band antenna designed to be used with TACAN system. The design ensures excellent omnidirectional pattern over the entire band. The radiating element is encased in a single piece glass fibre reinforced epoxy shell. These antennas are low profile, low drag stub antennas designed to withstand severe environmental conditions ideally suited for high performance supersonic aircrafts.



SPECIFICATIONS

ELECTRICAL

Frequency Range	950 MHz- 1220 MHz
VSWR	1.5:1 (950 MHz - 1020 MHz) 1.15:1 (1020 MHz - 1100 MHz) 1.5:1 (1100 MHz - 1220 MHz)
Polarization	Vertical
Radiation Pattern	Omnidirectional in azimuth
Impedance RF	50 Ω
Static Protection	DC Grounded
Power RF	4 kW Peak

MECHANICAL

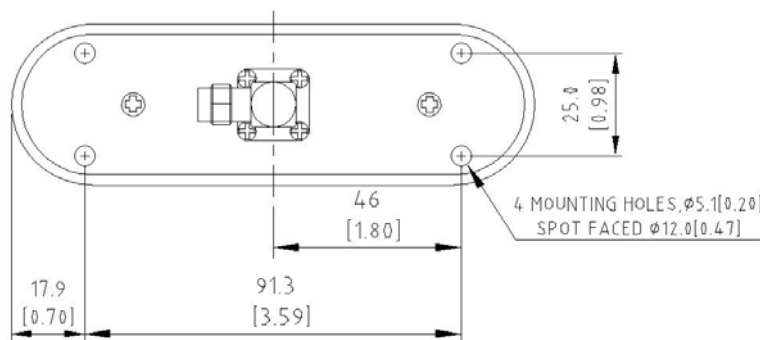
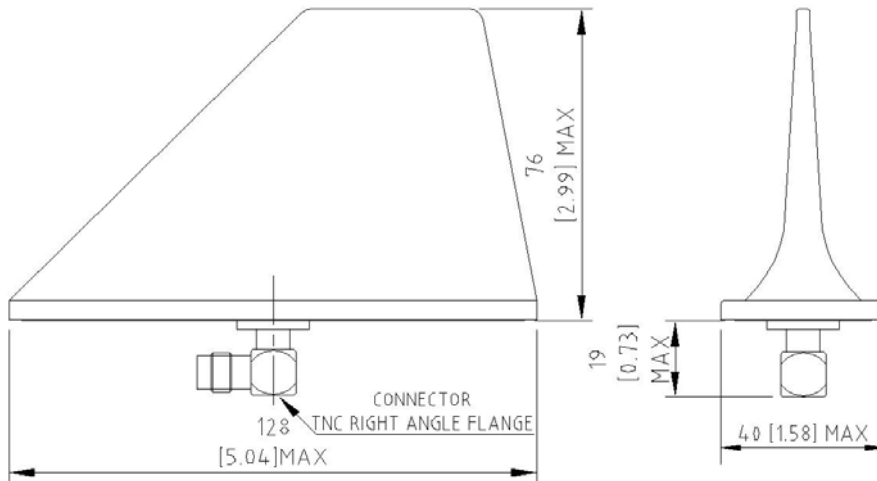
Weight	115 grams (Max)
Height	76 mm (Max)
Material	Glass Epoxy
Finish	Gloss
Connector	TNC (Right Angle with Flange) [Standard] TNC (Straight Type) [Optional]

ENVIRONMENTAL

Temperature	-54°C to +90°C
Altitude	60,000 feet

*Contact us for your customized requirements

Tests in accordance with MIL 810 F



Dimensions are in mm
Inches shown in bracket

0413 Rev 00

*All data contained herein is subject to change without notice



VERDANT TELEMETRY & ANTENNA SYSTEMS Pvt. Ltd.
COCHIN – 682013, INDIA.
Tel: +91-484-2663104 Fax: +91-484-2663576
e-mail: sales@verdanttelemetry.com
Website : www.verdanttelemetry.com

